



## Lowel DV Creator 55 Kit

**Code: DV-903Z**

**Size:** 29.5 x 13 x 7"  
(74.9 x 33 x 17.8 cm)

**Weight:** 38 lbs (17.3 kg)

---

**With TO-84Z Case**

**Code: DV-9034Z**

**Weight:** 42 lbs (19 kg)

---

**With LB-35 Soft Case**

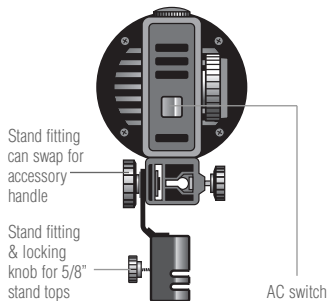
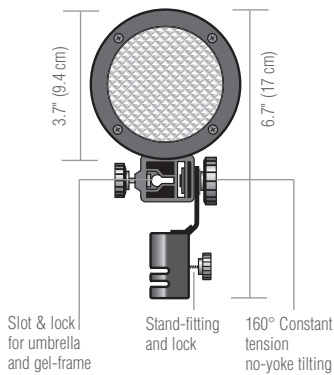
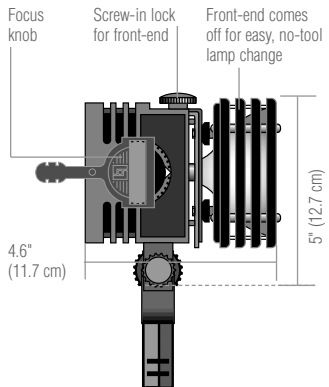
**Code: DV-903LBZ**

**Weight:** 33 lbs (14.8 kg)

### Contains:

- 1 Riita eX55 (LC-55EX)
- 1 500w, 120v lamp (EHC)
- 1 Pro-light (P2-10)
- 1 Pro-light 4-way Barndoors (iP-20)
- 1 200w, 120v lamp (PVL)
- 1 Omni-light (O1-10)
- 1 Omni-light 4-way Barndoors (O1-20)
- 1 500w, 120v lamp (FTK)
- 1 Tota-light (T1-10)
- 1 750w, 120v lamp (EMD)
- 3 Uni TO Stands (UN-55)
- 1 KS Jr. Stand (DT-33)
- 1 Tota-frame (T1-20)
- 1 Assorted Gels (T1-78)
- 1 Pro & i Gel Frame (iP40)
- 1 iP Assorted Gels (iP-78)
- 1 Flexi-shaft pkg (2) (T1-50)
- 1 Tota-flag (T1-52)
- 1 Tota-brella (T1-25)
- 1 T/O Lampak (TO-61)
- 1 DP/Tota Lampak (DT-61)
- 1 TO-83 Case

Pro Specs



With its high intensity Reflector & Prismatic Glass, the tiny focusable Pro-light is more efficient than a mini-fresnel of equal wattage. It gives an exquisite even light, with fresnel-like shadow quality, evenly dispersed flood, and a uniform spot with significant barndoor cut.

Variable Focus – 12, 30,120, 230v; 50–250w



Used with today's more light sensitive digital cameras & filmstocks, it's compact size makes it the perfect low-level key or accent light, fill light (with diffusion), or back-light for interviews & other small shooting-areas. In addition to a wide variety of customizing & control accessories, its versatility can be increased by adding a DC adapter cable & swapping its bulb for battery operation. Replace the Prismatic Glass with Clear Safety Glass for a non-focusing super-spot in special use situations.



The combination of the focusable 200 Watt Pro-light and the 500 Watt V-light, with its ability to broadly cover a wide area evenly, creates the foundation of a lighting system that easily can handle most contemporary run & gun shooting duties. The versatility of the ViP system is significantly enhanced by the wide selection of light control and mounting accessories.

Multi-use, tungsten halogen source.

Focus range–6:1 with FVL lamp.

Max. Watts: 250 & 125 at 120v, 200 at 30v, 100 & 50 at 12v. 235 at 230v.

Tilting: 160°, adjustable, constant-tension, one-handed, no-yoke tilting.

Recommended 200w FVL lamp is more efficient than 250w GCA in output, with greater focus range and significantly longer life.

Pro-light 230v Euro dedicated CE approved model is also available.

Lamp/Beam Data

(Pro & i/id lamps are not interchangeable)

Lamp Code	Volts	Watts	°K	Avg Life	Flood	Foot Candles (Lux) at 10' (3 m)		
						Spot	Focus Range	Super Spot
FVL	120	200	3200	200 hr	23 (250)	143 (1540)	6:1	302 (3260)
GCA	120	250	3200	100 hr	26 (285)	131 (1420)	5:1	389 (4200)
FSH	120	125	3200	100 hr	11 (115)	48 (515)	4.5:1	139 (1500)
GCC	12	100	3200	100 hr	12 (125)	58 (630)	5:1	245 (2650)
JCV14.5V-50WC 12/14	50	50	3200	100 hr	6 (70)	28 (305)	4:1	125 (1350)
GLF/P44 *	230	235	3200	100 hr	39 (420)	81 (880)	2:1	178 (1920)

\* Only fits CE Pro-light, updated Pro-light (4/2003) & older Pro-lights with updated Front Housing (iP2-18)

Technical Data

Weight:  
Pro-light with 4' captive cable: 1.3 lbs (590 g)  
With 4' cable & 12' extension cable: 2 lbs (907 g)

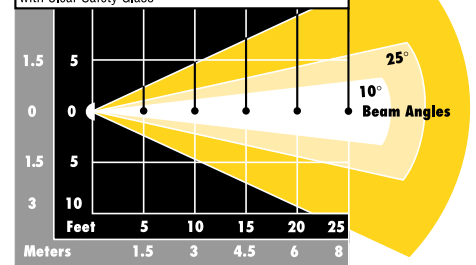
Max. wattage: 250  
Max. amperage: 8.3  
Beam control: continuously variable  
Fits on: 5/8" (1.59 cm) studs  
Materials: primarily aluminum and

Ryton  
Cable: with extension 16' (4.88 m) #18/3. CE model with #18/2.  
Switch: in-head  
U.S. Patent: 4777566

Performance

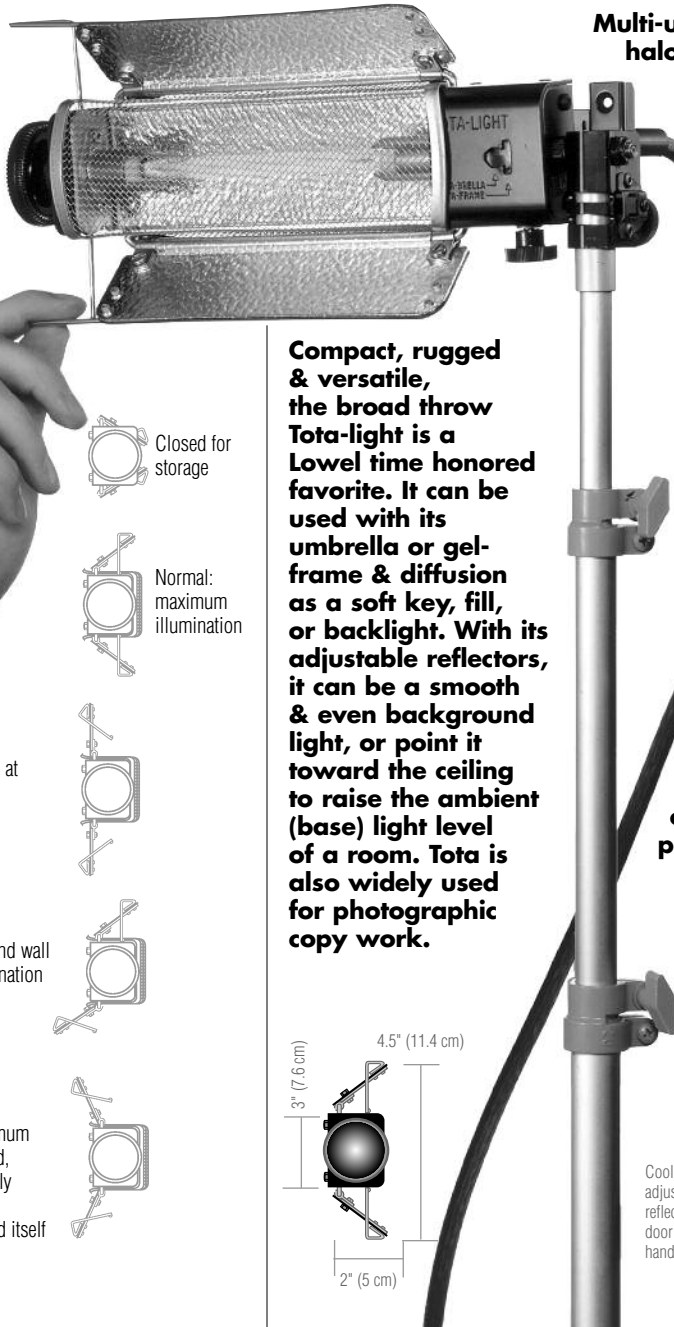
With 120v, 200w, 3200°K, Osram FVL lamp

Foot Candles (Lux = foot candles x 10.8)					
Flood	86	23	11	7	4
Spot	552	143	61	34	22
Super Spot with Clear Safety Glass	1139	302	135	80	47



Beam angles—points at which intensity drops to 50% of maximum

**Broad Throw – 120, 220/240v; 300–800w**



**Multi-use, tungsten halogen source.**

**Max. Watts:** 750 & 500 at 120v, 800 at 220/240v. Lower wattage lamps available for today's lower light HD cameras.

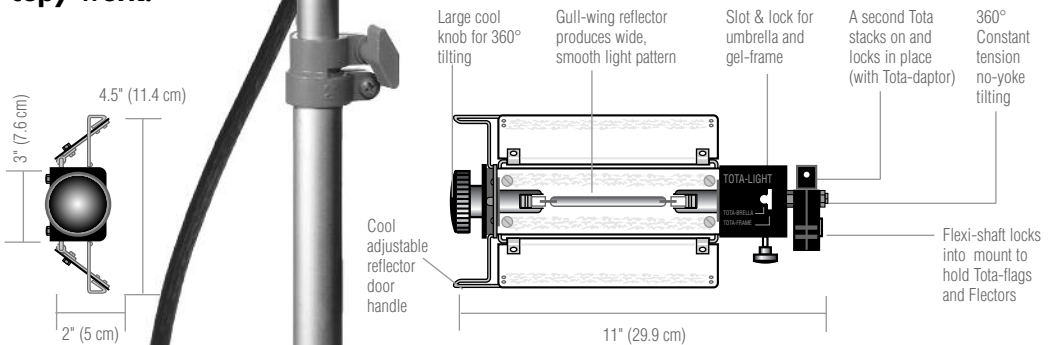
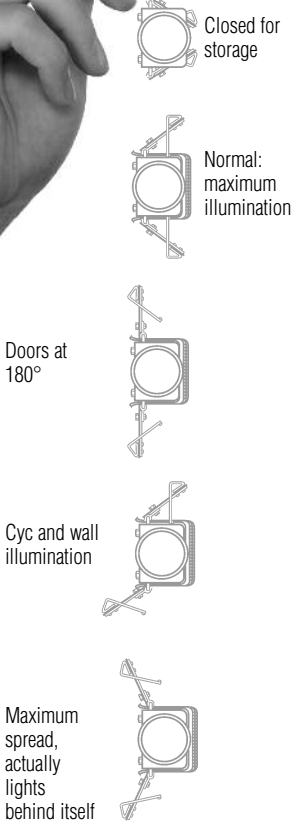
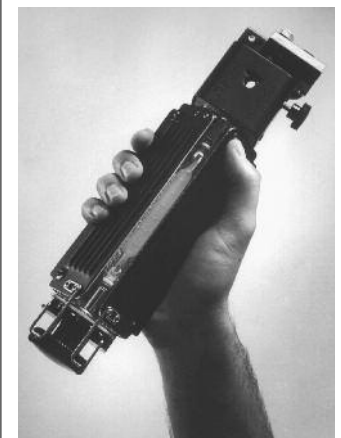
**Adjustable reflecting doors** can illuminate four walls evenly from a corner or compensate for light fall-off on vertical surfaces lit from above or below.

**360° constant tension no-yoke tilting.** Large, cool knobs.

**Closes compactly for storage & travel.**

**Never operate with doors closed beyond notched safety stop, or without front protective screen.**

**Compact, rugged & versatile, the broad throw Tota-light is a Lowel time honored favorite. It can be used with its umbrella or gel-frame & diffusion as a soft key, fill, or backlight. With its adjustable reflectors, it can be a smooth & even background light, or point it toward the ceiling to raise the ambient (base) light level of a room. Tota is also widely used for photographic copy work.**



**Technical Data**

**Size closed:** 2" x 3" x 11" (5 x 7.6 x 27.9 cm)  
**Weight less cable:** 1.3 lbs (595 g)  
**With 16' cable:** 2.25 lbs (1.02 kg)  
**Max. wattage:** 750w at 120v, 800w at 220/240v  
**Max. amperage:** 6.25 at 120v  
**Beam control:** door angle provides vertical beam control  
**Fits on:** studs 5/8" (1.59 cm) or smaller  
**Materials:** primarily aluminum alloy  
**Cable:** 16' (4.88 m) #18/3 wire  
**Switch:** in-line  
**U.S. Patent:** 3852582

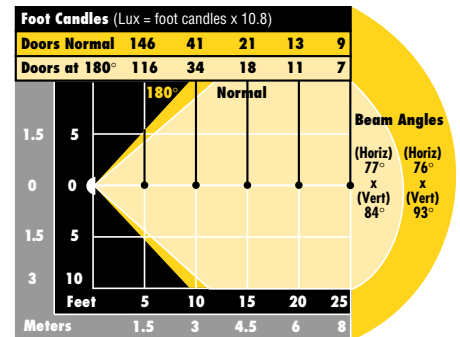
**Lamp/Beam Data**

Lowel Code	Volts	Watts	*K	Avg Life	Foot Candles (Lux) at 10' (3m)	
					doors norm	doors 180°
EZH	120	300	2900	2000 hr	14 (149)	11 (122)
FDN	120	500	3200	400 hr	27 (295)	22 (235)
FCZ	120	500	3000	2600 hr	26 (280)	19 (200)
FCM/HIR* (FWM)	120	650	3200	400 hr	60 (640)	45 (485)
EMD	120	750	3200	400 hr	41 (445)	34 (365)
EMF	220/240	800	3200	250 hr	45 (480)	34 (365)

Tota and V lamps are not interchangeable.  
 Tota lamps are frosted except FCM/HIR  
 \*G.E. Watt Miser™, also known as FWM, has virtually same output as 1000w lamp (see manufacturers specifications).

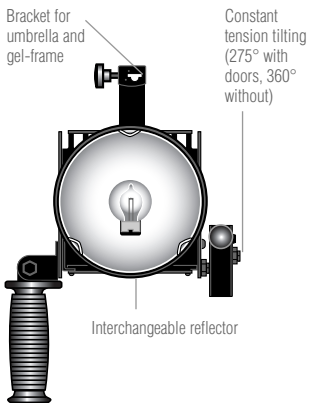
**Performance**

**With 120v, 750w, 3200°K, EMD lamp**



**Beam angles**—points at which intensity drops to 50% of maximum

Variable Focus – 12, 30, 120, 220/240v; 100–500w



The wide focusing range of the Omni-light makes it a flexible key or back-light. Add diffusion or an umbrella, and it's a soft fill source. Swap the power cord & lamp and it becomes a battery powered, hand-held light. Available with a host of accessories and built for heavy duty long life, the popular Omni is the perfect companion to the Tota.

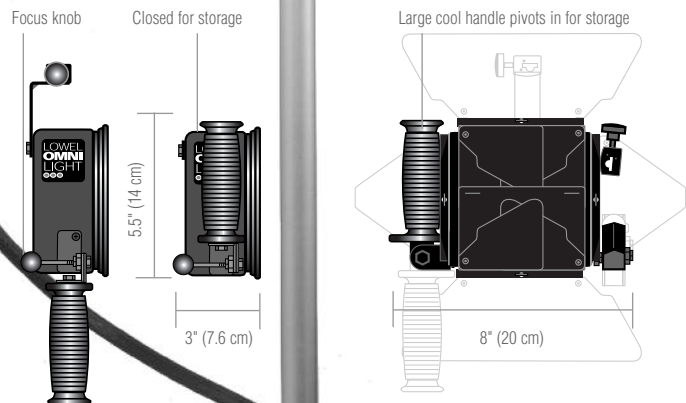
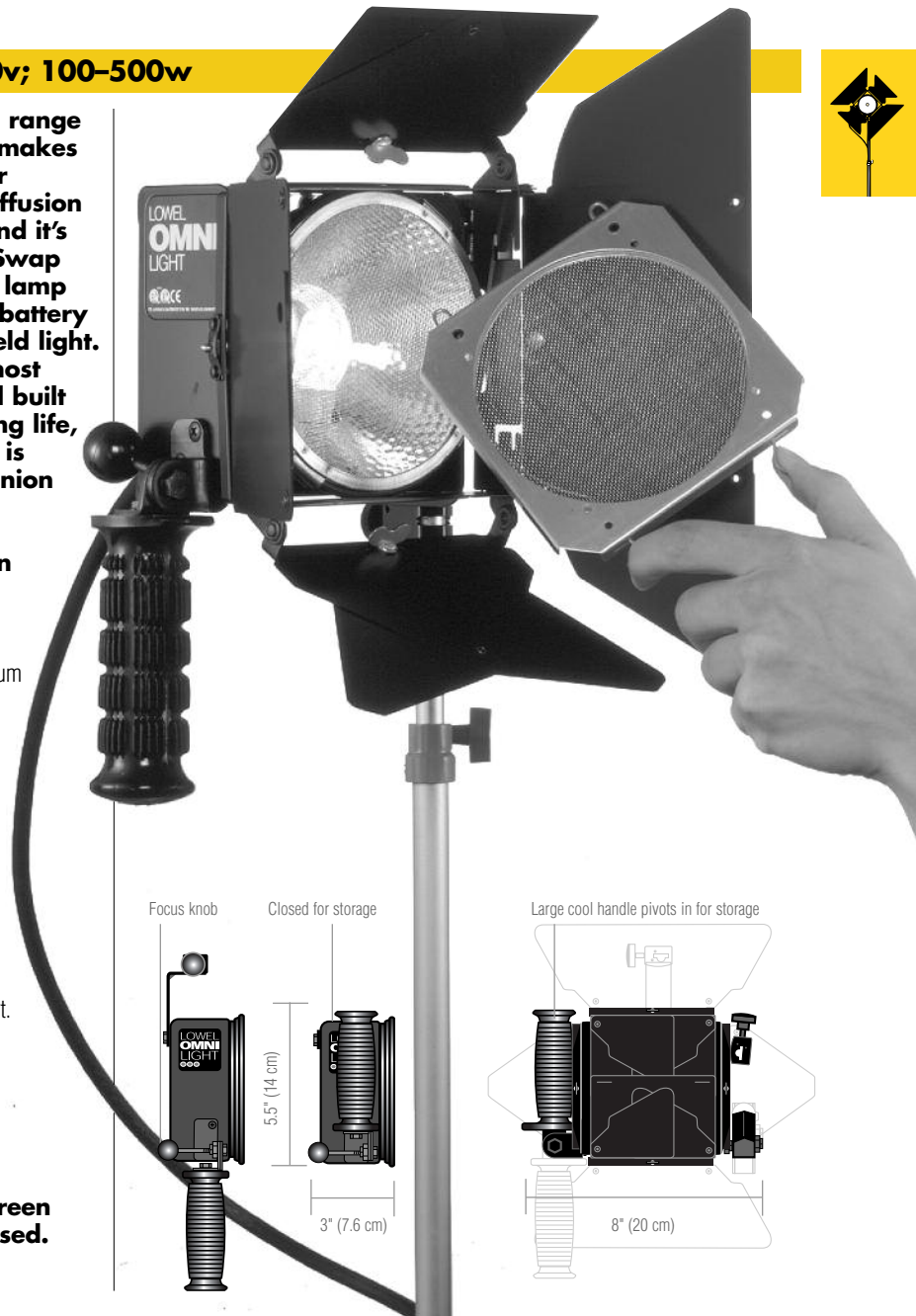
**Multi-use, tungsten halogen source.** Double parabolic, peened reflector provides non-crossover beam for maximum efficiency and gel life.

**Focus range–6:1** with #1 reflector & FTK lamp.

**Watts:** 500, 420 & 300 at 120v, 500 & 300 at 220/240v, 250 at 30v, 100 at 12v. Lower wattage lamps available for today's lower light HD cameras. See chart.

**Quick-change super-spot** accessory reflector for exceptionally long throws at all voltages.

**Protective front screen must always be used.**



Lamp/Beam Data

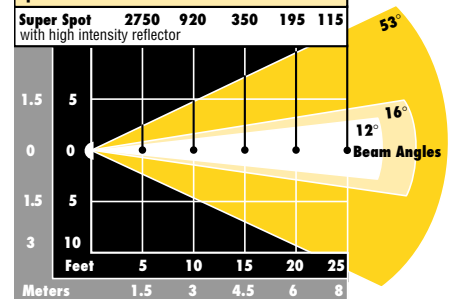
Lamp Code	Volts	Watts	°K	Avg Life	Foot Candles (Lux) at 10' (3 m)			Super Spot
					Flood	Spot	Focus Range	
EYL	12	100	3200	50 hr	14 (150)	111 (1200)	8:1	242 (2600)
DYG	30	250	3400	15 hr	37 (400)	311 (3350)	8:1	753 (8100)
JCD120V/300WC	120	300	3200	70 hr	32 (345)	278 (3000)	9:1	444 (4800)
EKB	120	420	3200	75 hr	66 (715)	390 (4200)	6:1	753 (8100)
FTK	120	500	3200	100 hr	75 (810)	475 (5130)	6:1	920 (9936)
GCY	230	500	3150	150 hr	75 (813)	295 (3200)	4:1	490 (5290)
JCD230V-300WC	230	300	3200	75 hr	27 (290)	222 (2400)	8:1	361 (3900)
JCD240V-500WC	240	500	3200	50 hr	73 (758)	344 (3720)	5:1	463 (5000)

Performance

With 120v, 500w, 3200°K, FTK lamp

Foot Candles (Lux = foot candles x 10.8)					
<b>Flood</b>	<b>250</b>	<b>75</b>	<b>35</b>	<b>20</b>	<b>13</b>
<b>Spot</b>	<b>1900</b>	<b>475</b>	<b>220</b>	<b>125</b>	<b>75</b>
<b>Super Spot</b>	<b>2750</b>	<b>920</b>	<b>350</b>	<b>195</b>	<b>115</b>

with high intensity reflector



Beam angles—points at which intensity drops to 50% of maximum

Technical Data

**Weight less cable:**

1.7 lbs (771 g)

**With 16' cable:** 2.6 lbs

**Max. wattage:** 500w at 120v and 220/240v

**Max. amperage:**

8.3 at 30v & 12v

**Beam control:** continuously variable

**Fits on:** studs 5/8" (1.59 mm) and smaller

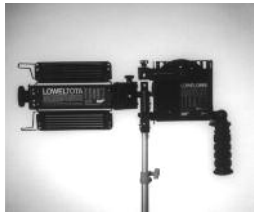
**Materials:** primarily aluminum alloy

**Cable:** 12, 120, 220, 240v: 16' #18/3 wire; 30v: 5' #18/3 wire

**Switch:** in-line

**U.S. Patent:** 4187531





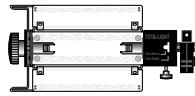
## Lights &

### Tota-light

**Code: T1-10**

**Weight:** 2.25 lbs (1.02 kg)

With Protective Screen and 16' Cable (less lamp).



### Tota-light with Lamp

**Code: T1-101**

Same as T1-10, but with 120v, 750w EMD lamp.



### Omni-light (standard)

**Code: O1-10**

**Weight:** 2.6 lbs (1.18 kg)

With standard #1 reflector, Protective Screen and 16' Cable (less lamp). For 30 & 12 volt operation, use #2 reflector and appropriate battery cable.



### Omni-light with Lamp

**Code: O1-101**

Same as O1-10, but with 120v, 500w FTK lamp.



### Omni-light 12v

**Code: O1-12**

**Weight:** 2.7 lbs (1.24 kg)

With #2 reflector, Protective screen, 16' Cable and 12v Cigarette Lighter Adaptor (O1-82), (less lamp).

### Omni-light 30

**Code: O1-13**

**Weight:** 2.25 lbs (1.02 kg)

With #2 reflector, Protective Screen and 5' 2-pin "Amphenol Type" Connector Cable (O1-81), (less lamp).

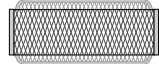
## Protective Screens

### Tota-light Protective Screen

**Code: T1-19**

**Weight:** 2 oz (57 g)

Supplied with light. Max. wattage: 750w (120v) or 800w (220/240v). Protects against lamp explosion. Must always be used.



### Omni-light Protective Screen

**Code: O1-19**

**Weight:** 2 oz (57 g)

Supplied with light. Max. wattage: 500w. Protects against lamp explosion. Must always be used.



## Omni Reflectors

**Weight:** 2 oz (57 g)

All reflectors are held in place by a retaining spring that allows fast, tool-less interchange.

### #1 Reflector

**Code: O1-15**

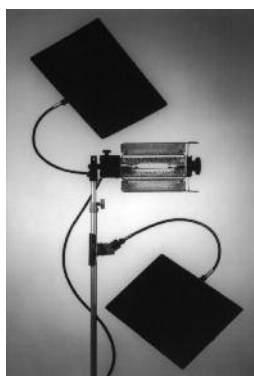
Standard full-focusing reflector with Lowel's unique peened, double parabolic, no-crossover configuration.



### #3 Reflector

**Code: O1-17**

Super-spot, fixed-focus reflector has a narrow, high intensity beam for long throws. Works with all voltages.



## Tota/Omni Light Controls



### Tota-brella Standard/Silver

**Code: T1-25**

**Weight:** 8 oz (227 g)

**Size:** 27" (68.6 cm) open, 19" (48.3 cm) closed.

Locks directly onto Tota or Omni without tools to convert to softlight.

### Special/White

**Code: T1-26**

Same as above with extremely soft, white reflective surface.

## Tota-frame

**Code: T1-20**

**Weight:** 6 oz (170 g)

**Size:** Folded 12 x 1 x 1" (30.5 x 2.5 x 2.5 cm)

Holds various 10 x 12" (25.4 x 30.5 cm) gels.

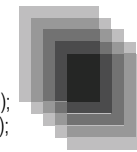
Locks directly into all three lights, pans and tilts with the light.



## Tota Gels (5)

**Size:** 10 x 12"

(25.4 x 30.5 cm) sheets (Pkg of 5): Day Blue (T1-70); ND 3 (T1-71); Frost (T1-72); Assorted—3 Day Blue, 1 Frost, 1 ND 3 (T1-78).



## Tota/Omni Gel File

**Code: GF-10**

**Size:** 11 x 13"

(27.9 x 33 cm)

**Weight:** 9 oz (255 g)

Accepts 10 x 12" gels for Tota/Omni gel frame. Made of flexible woven nylon with dividers to organize gel colors & diffusion. See full description in Soft Cases section.



## Tota-flag

**Code: T1-52**

**Size:** 8 x 12" (20.3 x 30.5 cm)

**Weight:** 4 oz (113 g)

Black aluminum alloy panel attaches to a Flexi-shaft for shadowing subject, background or lens. Two or more snap together.



## Flexi-shaft (2)

**Code: T1-50**

**Size:** 16" (40.65 cm)

**Weight:** 4 oz (113 g)

Flexible arm snaps onto Flag-link, Tota-tatch, or Tota-clamp and positions a Tota-flag or Tota-flector. (Pkg of 2).



## Tota Light Control

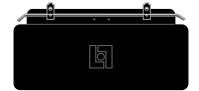
### Tota-shade (1)

**Code: T1-21**

**Weight:** 3 oz (85 g)

**Size:** 9 x 4.5" (23 x 11.4 cm)

Pivoting panels snap onto Lowel Tota and V-lights, providing light and lens-flare control & holding gels. Allows use of gel and umbrella together. (Side panels require top and bottom panels for support.)



### Tota-shade Set (4)

**Code: T1-24**

**Weight:** 12 oz (340 g)

## Tota-tatch

**Code: T1-34**

**Weight:** 3.5 oz (98 g)

Attaches to stands, shelves, tripods, etc. Accepts one Flexi-shaft.



## Omni Light Controls

### Complete Barndoor

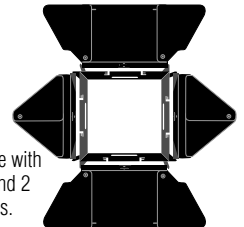
**Code: O1-20**

**Weight:** 8 oz

(227 g)

Barndoor Frame with 2 rectangular and 2 triangular leaves.

Rotates 360° and holds 2 accessories (filters, snoot, etc.).



### Barndoor Frame

**Code: O1-21**

**Weight:** 2 oz (57 g)

Same as above minus leaves.

Holds accessories; joins two snoots.



### Rectangular Leaf

**Code: O1-22**

**Weight:** 2 oz (57 g)

Locks on frame with 1/4 turn instant release connector; has two expandable wings.

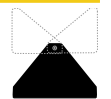


### Triangular Leaf

**Code: O1-23**

**Weight:** 1 oz (28 g)

Locks on frame with 1/4 turn instant release connector; has two expandable wings.



### Gel-jawz (8)

**Code: CL-15**

**Weight:** 2 oz (56 g)

Package of eight clips.

Attach to barndoor leaves to hold gels. Use two per light.



## Omni Light Controls

### Diffused Glass

**Code: 01-50**

**Weight:** 3 oz (85 g)

Softens light; reduces intensity and contrast; improves shadow quality. Light loss approx. 40% in flood.



### Dichroic Filter

**Code: 01-51**

**Weight:** 3 oz (85 g)

Converts 3200°K to average daylight with light loss of approx. 50%. Absorbs U.V.



### Clear Glass

**Code: 01-52**

**Weight:** 3 oz (85 g)

Absorbs some U.V. with 5% light loss.



### Full Scrim

**Code: 01-54**

**Weight:** 2 oz (57 g)

Stainless steel screen reduces light one stop without diffusion or softening of contrast.



### Half Scrim

**Code: 01-55**

**Weight:** 2 oz (57 g)

Same as above, covers half the light, rotates 360° to reduce light on any part of the subject that is too bright.



### Graduated Scrim

**Code: 01-56**

**Weight:** 2 oz (57 g)

Clear, single and double screen areas gradually reduce light intensity. Compensates for light fall-off on walls and subjects. Rotates 360°.



### Cookaloris

**Code: 01-57**

**Weight:** 2 oz (57 g)

Cut metal disk creates a soft shadow pattern to "break-up" flat backgrounds.

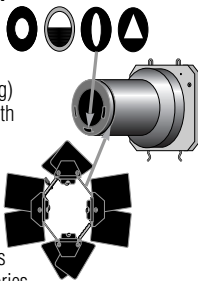


### Omni Narrow Snoot

**Code: 01-532**

**Weight:** 4 oz (114 g)

For more control with smaller diameter circular cutoff (2.25" diameter). Accepts Fren-L patterns as well as Pro-light barn doors & swing-in accessories.

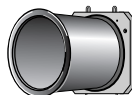


### Snoot

**Code: 01-53**

**Weight:** 4 oz (113 g)

Creates a reduced, soft-edged circle of light. Two joined by a Frame (01-21), increases effect.



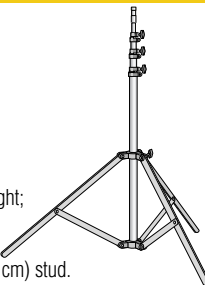
## Mounts

### Omni-stand

**Code: 01-33**

**Weight:** 2.6 lbs (1.2 kg)

**Size:** (2.74 m), 27" (69 cm) folded  
Sturdy and lightweight; extends to 9'.  
Collar clamping; standard 5/8" (1.59 cm) stud.



### Uni TO Stand

**Code: UN-55**

**Weight:** 2.6 lbs (1.2 kg)

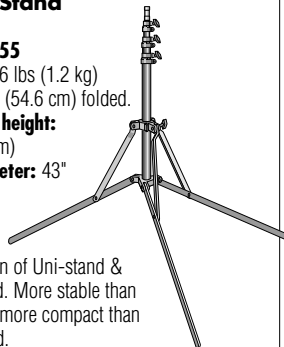
**Size:** 21.5" (54.6 cm) folded.

**Maximum height:**

7'11" (2.4 m)

**Base diameter:** 43"

New stand, based on design combination of Uni-stand & Omni-stand. More stable than Uni-stand, more compact than Omni Stand.



### Tota-clamp

**Code: T1-30**

**Weight:** 4 oz (113 g)

Clamps onto pipes and objects up to 1 7/8" (4.8 cm) thick. 5/8" (1.59 cm) stud locks in two positions and accepts a light. Two Flexi-shafts with Tota-flags can be attached.

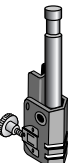


### Tota-daptor

**Code: T1-35**

**Weight:** 4 oz (113 g)

Stacks multiple Tota-lights; converts under-sized stands to 5/8" (1.59 cm). Also accepts two Flexi-shafts with Tota-flags or Flectors.

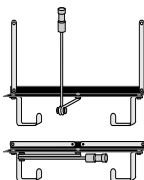


### Tota-mount

**Code: T1-32**

**Weight:** 10 oz (284 g)

Hangs on doortops, Gaffer-tapes to windows and most wall surfaces to support Tota, Omni and other small lights. Folds for storage.



### Scissor-mount (2)

**Code: CM-20**

**Weight:** 9 oz (250 g)

Attaches small lights and accessories to grid of dropped-ceilings in offices and other areas. (Set of 2).



### Lobo

**Code: F1-30**

**Weight:** 10 oz (284 g)

Attaches Lobo Arm to top or any part of a stand to make a miniature boom. Also mounts large umbrellas, flags, etc.



### Lobo Arm

**Code: F1-40**

**Weight:** 3 oz (85 g)

22" (55.9 cm) shaft with 5/8" (1.59 cm) stud. Extends, articulates and booms small lights, reflectors, etc.



### Safety Cable (3)

**Code: CM-50**

**Weight:** 2 oz (57 g)

**Size:** 34" (86.4 cm)

Braided stainless-steel cable adds security to lights and accessories that are attached to overhead pipes, beams, dropped-ceiling grids, etc. (Set of 3).



**For other Clamps, Booms, etc.,** see Mounts, section.

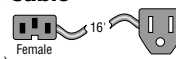
## Cables & Connectors

### 16' Tota/Omni Cable

**Code: T1-80**

**Weight:** 13 oz (369 g)

Standard #18/3; with switch.



### 16' (5 m) Tota Eurocord

**Code: T1-801**

**Weight:** 13 oz (369 g)

#18/3 (.75 mm/3) with double pole switch and male CEE-7 plug. For approved CE use.

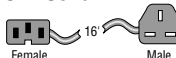


### 16' (5 m) Tota UK Cord

**Code: T1-802**

**Weight:** 13 oz (369 g)

#18/3 (.75 mm/3) with double pole switch and male fused BS 1363A plug. For approved CE use.

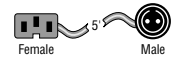


### 5' Omni 30v Cable

**Code: 01-81**

**Weight:** 7 oz (199 g)

#18/3; with switch and 2 pin "Amphenol Type" connector for batteries.

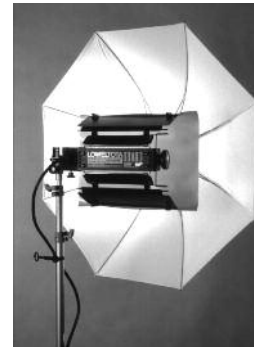
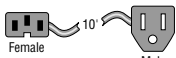


### 10' Unswitched Cable

**Code: T1-808**

**Weight:** 1.1 lbs (5 kg)

For portable stage lighting use. "Hard service" #18/3 cable.



## Collapsible Softlight

You've loved Rifa's compact portability, 60 second setup, & beautiful output. With the Lowel Rifa eXchange System, we've added versatility. Its patented bayonet mount lets you swap lampheads with a quick push & twist of the wrist!

### Want Fluorescent?

All Rifa's can use our high CRI daylight fluorescent lamps for highly accurate color rendering.

### Need less light?

All 4 models can go down to 125w AC.

### No AC current?

All 4 models can use DC battery power for 50-200w.



## Tungsten-halogen / Fluorescent



### Use your Rifa as you always have...

All Rifa eX models come with lampheads that use the exact same lamps Rifa has always used, and you may choose to never remove it. However, the innovative Rifa eXchange System expands your creative options with push & twist accessory lampheads, for fluorescent & other tungsten-halogen options.

**Creating beautiful soft key or fill light doesn't** have to be strenuous or time consuming. Compact, lightweight, & self-contained, the Rifa uses a simple design approach as old as the umbrella to achieve its quick & easy setup and strike capabilities.

**Bathe almost anything, from talking heads to table-top stills,** in luxurious almost fool-proof soft light. It's the perfect complement to today's compact, light-sensitive, digital cameras & filmstocks.

**All 4 original Rifa-lite models** have been updated to create the patented Lowel Rifa eXchange System.

**4 light-efficient models:** Max. 300, 500, 750 & 1000w.

**Silver aluminized** high temperature Nomex<sup>®</sup> housing.

**State of the art woven glass fabric front diffuser** offers exceptional heat resistance.

**Accessories include** eXchange System Lampheads & Accessory Paks, Soft Egg Crates, Balance Bar for more versatile positioning, plus Lowel mounting accessories.

**Original Rifa Owners,** user or Lowel Repair Dept. upgrades to eXchange models are available.

**See our website** for lessons on using Rifa eX.



## 1 minute set-up time

**Unlike common, inefficient soft boxes that must first be assembled and then attached to a light as an accessory,** the Rifa is both light and soft box combined. Rifa-lites can easily go from carry bag to stand, fully set up, in 1 minute or less.



Remove from bag & place on stand.



Pushing in lamp fixture quickly opens shell.



Shell fully opens & locks into place.



Attach diffuser, plug it in & power it up.

**U.S. Patents:**  
459645, 7081001, 7153153

## Rifa eXchange Push & Twist Lampheads & Lamps

**TH-X1000**  
Fits all Rifa eX models except eX 44

(Supplied with LC-55EX, LC-66EX, LC-88EX)  
Tungsten-halogen, 500-1000W. Lamps not included.



**TH-X300**  
Fits all Rifa eX models

(Supplied with LC-44EX, accessory to all other models).  
Tungsten-halogen, 50-200W DC, 125 - 300W AC. Lamps not included.



**FLO-X1**  
Fits all Rifa eX models

Daylight Fluorescent or Incandescent, 1 Edison Screw-thread lamp (not included). (CE model code - FLO-X1E)



**FLO-X3**  
Fits all Rifa eX models

Daylight Fluorescent Only, 3 Edison Screw-thread Individually switched lamps. Lamps not included. (CE model code - FLO-X3E)



**FLO-X5**  
Fits Rifa eX 88

Daylight Fluorescent Only, 5 Edison Screw-thread Individually switched lamps. Lamps not included. (CE model code - FLO-X5E)



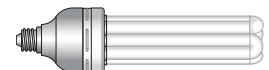
**FLO-X1, FLO-X3, FLO-X5 Lampheads Use Lowel Daylight Fluorescents**

Screw-threaded 5500k lamps with 8,000 lamp life & 92+ CRI for daylight with high color accuracy.

**E1-27**  
27W, 120V AC  
**E1-27E**  
25W, 220/240V AC



**E1-80**  
80W, 120V AC  
**E1-80E**  
80W, 220V AC



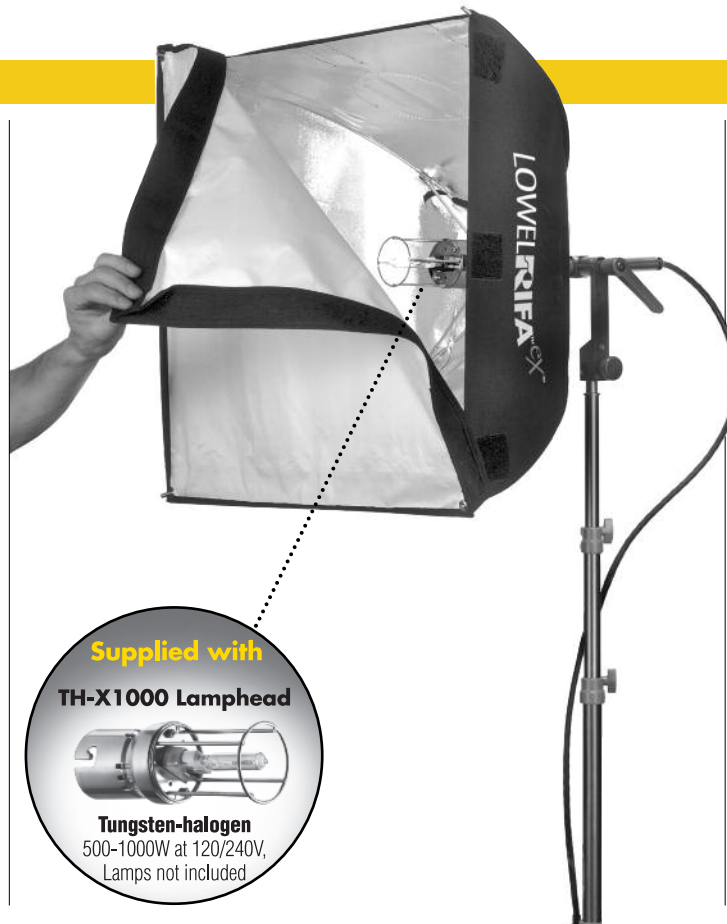



## Features

A little larger than the Rifa eX 44, the 55 has more output punch and still fits into many of our smaller kits & cases.

Popular for talking head interviews and run & gun shoots where quick setup is needed.

The new accessory eXchange lampheads bring all of the lower wattage/voltage AC/DC tungsten-halogen lamp advantages of the Rifa eX 44. Or choose screw-threaded fluorescent options, including our 80w daylight lamp with high efficient output and accurate color rendering.



**Supplied with**  
**TH-X1000 Lamphead**  
  
**Tungsten-halogen**  
 500-1000W at 120/240V,  
 Lamps not included

**Dedicated softlight fixture** with removable lamphead centered in collapsible silver aluminized high temperature Nomex® housing.

**Accessory quick exchange** lampheads allow use of lower wattage/voltage tungsten-halogen or daylight fluorescent lamps.

**Max. 500w**, with supplied TH-X1000 tungsten-halogen. Or lower with accessory heads. See charts on page 27 for complete information:

**Fluorescent:** 27 & 80w screw-threaded, color accurate daylight fluorescent lamps.

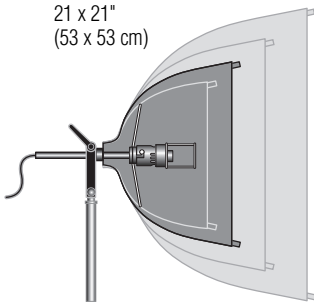
**Tungsten-halogen:** 105-500w AC, 50-200w DC.

**eXchange Fluorescent Accessory Packs & cases**, make it easy to "Go Flo". See pg 67.



## LC-55EX Size

21 x 21"  
(53 x 53 cm)

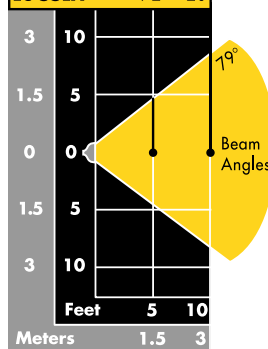


## Performance

**LC-55EX** with 120v, 500w, 3200°K, EHC lamp

**Foot Candles**  
(Lux = foot candles x 10.8)

**LC-55EX** 72 20



**Beam angles**-points at which intensity drops to 50% of maximum

## Light &

**Rifa eX 55**



**Code: LC-55EX**

**Size:** 21 x 21" (53 x 53 cm), 24" (61 cm) collapsed

**Weight with 4' captive cable:** 2.5 lbs (1.1 kg)

**Max. wattage:** 500

**Max. amperage:** 4.2 at 120v

With 4' captive cable,

16' switched #18/3 extending power cord (T1-80), light diffuser (LC-55D) and carrying sleeve. Less lamp.

**Rifa eX 55 with lamp**

**Code: LC-55EX1**

Same as above but with 120v, 500w EHC lamp.

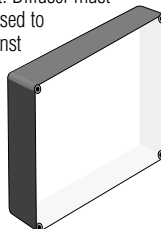
## Replacement Diffuser

**Code: LC-55D**

**Size:** 21 x 21" (53.3 x 53.3 cm)

**Weight:** 8 oz (227 g)

Standard light diffuser replacement. Diffuser must always be used to protect against lamp explosion.



## Soft Egg Crates

For better light control. Each Egg Crate attaches quickly and afterwards folds up to be stored in its own small light-weight bag. Available in 3 dispersion angles: 30°, 40°, 50°.

**30° Egg Crate**

**Code: LC-55EC/30**

**Weight:** 9.5 oz (266 g)

**40° Egg Crate**

**Code: LC-55EC/40**

**Weight:** 7.5 oz (210 g)

**50° Egg Crate**

**Code: LC-55EC/50**

**Weight:** 10 oz (280 g)

## Accessory Lampheads

**TH-X300**



**Code: TH-X300**

**Weight:** .45 lbs (.2 kg)

**Tungsten-halogen,** 125-300W at 120V, 235-300W at 240V, 50-100W at 12V, 200W at 30V, Lamps not included

**FLO-X1**



**Code: FLO-X1**

**Weight:** .8 lbs (.4 kg)

**Fluorescent or Incandescent,**

Edison Screw-thread, 27W at 120/240V, Lamps not included

**FLO-X3**



**Code: FLO-X3**

**Weight:** 1.8 lbs (.8 kg)

**Fluorescent Only**

Edison Screw-thread, 27w and 80w at 120/240V. Individually switched lamps. Lamps not included.

## Accessory Pack

**TH-X300 Accessory Pack for Rifa eX 55, 66, & 88**

**Code: TH-X300P (120v)**

**Code: TH-X300PE (240v)**

**Weight:** 1 lb (.5 kg)

1 TH-X300 Lamphead  
 1 ViP Lampak  
 1 200w, 120v lamp (FVL)

240v ver replaces FVL with GLF lamp. (Use T1-801 Eurocord). For 12 or 30v use, swap lamp & power cable (see pg 26).







**Rifa eX Retrofit**



All original Rifa-lite models can be updated to Rifa eX models, either by available user upgrade kits or by the Lowel Repair Dept.

Each retrofit replaces the center core of the Rifa with a new core & a removable version of the same lamphead the original Rifa came with.

User retrofits should only be done by a skilled electrician, or Lowel Repair Dept. If unsure, contact Lowel, or download & read the Rifa eX retrofit instructions for more information: [www.lowel.com](http://www.lowel.com)

**Rifa 44 to Rifa eX 44 User Retrofit Kit**  
Code: LC-74

**Lowel Repair Dept Retrofit**  
Code: LC-741

**Rifa 55 to Rifa eX 55 User Retrofit Kit**  
Code: LC-75

**Lowel Repair Dept Retrofit**  
Code: LC-751

**Rifa 66 to Rifa eX 66 User Retrofit Kit**  
Code: LC-76

**Lowel Repair Dept Retrofit**  
Code: LC-761

**Rifa 88 to Rifa eX 88 User Retrofit Kit**  
Code: LC-78

**Lowel Repair Dept Retrofit**  
Code: LC-781

**Rifa eX Gels**

**Rifa Daylight Gel Sets**

For correcting tungsten lamped Rifas to mix with varying strengths of daylight. They attach to Rifa's velcro pockets with clothespins. Each set contains 3 sheets: Day Blue; 1/2 Blue; & 1/4 Blue (1 sheet each).

**For LC-44EX**  
Code: LC-47  
Size: 23 x 16" (58.4 x 40.6 cm)

**For LC-55EX**  
Code: LC-57  
Size: 29 x 22" (73.7 x 56 cm)

**For LC-66EX**  
Code: LC-67  
Size: 33 x 26" (84 x 66 cm)

**For LC-88EX**  
Code: LC-87  
Size: 39 x 32" (99 x 81.3 cm)

**Lamp Tubes**

**27w Lamptube**



**Code: FLO-X61**  
Size: 13 x 3.5" (33 x 9 cm)  
Weight: .4 lbs (.2 kg)  
High impact plastic tube with end caps and foam inner cushion. Holds (2) 27w screw-threaded fluorescent lamp for eXchange System lampheads. Lamps not included.

**80w Lamptube**



**Code: FLO-X63**  
Size: 13 x 3.5" (33 x 9 cm)  
Weight: .4 lbs (.2 kg)  
High impact plastic tube with end caps and foam inner cushion. Holds (1) 80w screw-threaded fluorescent lamp for eXchange System lampheads. Lamps not included.

**Mounts**

**Uni TO Stand**

**Code: UN-55**  
Weight: 2.6 lbs (1.2 kg)  
Size: 21.5" (55.2 cm) folded.  
Maximum height: 7' (2.2 m)  
Base diameter: 46" New stand, based on design combination of Uni-stand & Omni-stand. More stable than Uni-stand, more compact than Omni-stand. For Rifa eX 44.

**KS Jr. Stand**



**Code: DT-33**  
Size: Maximum height: 7'7" (2.3 m), Collapsed length: 2'3" (65 cm)  
Weight: 3.5 lbs (1.6 kg)  
Wide based, sturdy, lightweight stand with 5/8" (1.59 cm) stud and solid bar legs. For Rifa eX 44, 55, 66.

**Mounts**

**KS Stand**



**Code: KS**  
Size: Maximum height: 9' (2.74 m), Collapsed length: 3' (91 cm)  
Weight: 4 lbs (1.8 kg)  
Wide based, sturdier, lightweight stand with 5/8" (1.59 cm) stud. For all 4 Rifas.

**KSA Stand**

**Code: KSA**  
Black-anodized, air-cushioned stand. Otherwise same as above.

**Balance Bar**



**Code: LC-30**  
Size: 12.5" (31.8 cm)  
Weight: 6.5 oz (184 g)  
The Rifa Balance Bar is an extension arm accessory that mounts between the Rifa eX and its stand fitting (models 55, 66, & 88 only). When installed, it effectively changes the Rifa's center of gravity to facilitate angling and tilting of the light when necessary, such as on a boom arm, without the need to overtighten the stand fitting knob.

**Tota-clamp**

**Code: T1-30**  
Weight: 4 oz (113 g)  
Clamps onto pipes, shelves, etc. up to 1 7/8" (4.78 cm) thick. 5/8" (1.59 cm) stud locks in two positions and accepts a light. Also accepts two Flexi-shafts with flags or flectors.

**Safety Cable (3)**

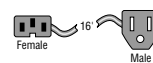


**Code: CM-50**  
Weight: 2 oz (57 g)  
Recommended for extra security when attaching Rifa-lites overhead. (Set of 3).

**For more mounts:** see Mounts section.

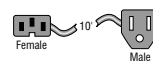
**Cables**

**16' Switched AC Cable**



**Code: T1-80**  
Weight: 13 oz (369 g)  
Standard #18/3; with switch.

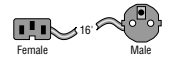
**10' Unswitched Cable**



**Code: T1-808**  
Weight: 1.1 lbs (.5 kg)  
For portable stage lighting use. "Hard service" #18/3 cable.

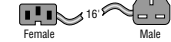
**Cables**

**16' (5 m) Eurocord**



**Code: T1-801**  
Weight: 13 oz (369 g)  
#18/3 (.75 mm/3) with double pole switch and male CEE-7 plug. For approved CE use.

**16' (5 m) UK Cord**



**Code: T1-802**  
Weight: 13 oz (369 g)  
#18/3 (.75 mm/3) with double pole switch and male fused BS 1363A plug. For approved CE use.

**16' (5 m) Eurocord**



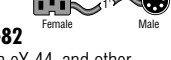
**Code: T1-801**  
Weight: 13 oz (369 g)  
#18/3 (.75 mm/3) with double pole switch and male CEE-7 plug. For approved CE use.

**5' 30v Cable**



**Code: O1-81**  
Adapts Rifa eX 44, and other models using TH-X300 lamphead, for use with 30 volt battery #18/3; with switch and 2 pin "Amphenol Type" connector for batteries.

**4-pin XLR Switched Cable**



**Code: R2-82**  
Adapts Rifa eX 44, and other models using TH-X300 lamphead, for use with appropriate 12 volt batteries. No wiring required.

**1' 12v Switched Cigarette Lighter/ Car Adaptor Cable**



**Code: R2-85**  
Adapts Rifa eX 44, and other models using TH-X300 lamphead, for use with some 12 volt batteries and automobile cigarette lighter sockets. No wiring required.

The Lowel Rifa eXchange family uses the eXchange System's quick change modular lampheads to allow larger Rifas to use lower wattage and DC powered lamps. It also allows all models to use our high quality color accurate, screw-threaded fluorescent lamps. The below charts give an overview of output performance.

The fluorescent lampheads & lamps of the eXchange System are also used by the SoftCore™ System shown on the following pages. The efficient output & high color accuracy of Lowel's fluorescent lamps make beautiful soft-lit images easier to create.

## Rifa eX 44 Lamp/Beam Data

### With THX-X300 Lamphead

Lamp Code	Volts	Watts	°K	Avg Life	FC(lux) 5'	FC(lux) 10'
JCV14.5-50WC						
	12/14	50	3200	100 hr	7 (80)	2 (22)
GCC	12	100	3200	100 hr	8 (81)	2 (22)
FSH	120	125	3200	100 hr	15 (166)	4 (46)
FVM	120	105	3200	250 hr	14 (148)	4 (40)
FVL**	120	200	3200	200 hr	33 (356)	9 (100)
GCA	120	250	3200	100 hr	39 (418)	10 (111)
CP/96*	120	300	3400	75 hr	49 (532)	14 (147)
GLF/P44	230	235	3200	100 hr	35 (381)	9 (102)
CP/97*	230	300	3200	75 hr	54 (582)	15 (159)

\* Different lamp base, Rifa-44 socket accepts this base.

\*\* Longer life lamp recommendation (slightly lower wattage).

### With FLO-X1 Lamphead

E1-27	120	27	5500	8000 hr	10 (108)	3 (30)
E1-27E	230	25	5500	8000 hr	11 (114)	3 (31)

### With FLO-X3 Lamphead

(with all 3 lamps lit)

E1-27	120	27	5500	8000 hr	23 (250)	6 (69)
E1-27E	230	25	5500	8000 hr	25 (265)	7 (73)

## Rifa eX 55 Lamp/Beam Data

### With TH-X1000 Lamphead

Lamp Code	Volts	Watts	°K	Avg Life	FC(lux) 5'	FC(lux) 10'
EHC	120	500	3200	300 hr	72 (778)	19 (209)
EHD	120	500	3000	2000 hr	69 (745)	18 (198)
JCV 220V-500WBM						
	220	500	3000	2000 hr	78 (846)	21 (228)
JCV 240V-500WBM						
	240	500	3000	2000 hr	66 (710)	17 (188)

### With TH-X300 Lamphead

Lamp Code	Volts	Watts	°K	Avg Life	FC(lux) 5'	FC(lux) 10'
JCV14.5-50WC						
	12/14	50	3200	100 hr	7 (79)	2 (22)
GCC	12	100	3200	100 hr	11 (122)	3 (33)
FSH	120	125	3200	100 hr	17 (183)	5 (50)
FVM	120	105	3200	250 hr	15 (158)	4 (43)
FVL**	120	200	3200	200 hr	35 (378)	9 (100)
GCA	120	250	3200	100 hr	41 (448)	11 (120)
CP/96*	120	300	3400	75 hr	55 (593)	14 (156)
GLF/P44	230	235	3200	100 hr	37 (396)	10 (105)
CP/97*	230	300	3200	75 hr	59 (639)	16 (170)

\*\* Longer life lamp recommendation (slightly lower wattage).

### With FLO-X1 Lamphead

E1-27	120	27	5500	8000 hr	9 (92)	3 (31)
E1-27E	230	25	5500	8000 hr	9 (97)	3 (32)

### With FLO-X3 Lamphead

(with all 3 lamps lit)

E1-27	120	27	5500	8000 hr	22 (233)	7 (78)
E1-27E	230	25	5500	8000 hr	23 (252)	8 (85)
E1-80	120	80	5500	8000 hr	60 (653)	18 (190)
E1-80E	220	80	5500	8000 hr	71 (763)	21 (225)

## Rifa eX 66 Lamp/Beam Data

### With TH-X1000 Lamphead

Lamp Code	Volts	Watts	°K	Avg Life	FC(lux) 5'	FC(lux) 10'
EHF	120	750	3200	300 hr	109 (1180)	30 (326)
EHG	120	750	3000	2000 hr	89 (962)	24 (262)
FKR/240	240	650	3200	300 hr	92 (990)	25 (270)
EHC	120	500	3200	300 hr	85 (915)	24 (263)
EHD	120	500	3000	2000 hr	67 (720)	19 (206)
JCV 220V-500WBM						
	220	500	3000	2000 hr	77 (829)	22 (238)
JCV 240V-500WBM						
	240	500	3000	2000 hr	70 (760)	20 (214)

### With TH-X300 Lamphead

Lamp Code	Volts	Watts	°K	Avg Life	FC(lux) 5'	FC(lux) 10'
JCV14.5-50WC						
	12/14	50	3200	100 hr	8 (82)	2 (23)
GCC	12	100	3200	100 hr	6 (68)	2 (18)
FSH	120	125	3200	100 hr	18 (189)	5 (53)
FVM	120	105	3200	250 hr	15 (159)	4 (46)
FVL**	120	200	3200	200 hr	33 (351)	9 (97)
GCA	120	250	3200	100 hr	42 (455)	12 (126)
CP/96*	120	300	3400	75 hr	55 (598)	15 (167)
GLF/P44	230	235	3200	100 hr	33 (358)	9 (99)
CP/97*	230	300	3200	75 hr	59 (633)	17 (182)

\*\* Longer life lamp recommendation (slightly lower wattage).

### With FLO-X1 Lamphead

E1-27	120	27	5500	8000 hr	10 (113)	3 (32)
E1-27E	230	25	5500	8000 hr	11 (120)	3 (34)

### With FLO-X3 Lamphead

(with all 3 lamps lit)

Lamp Code	Volts	Watts	°K	Avg Life	FC(lux) 5'	FC(lux) 10'
E1-27	120	27	5500	8000 hr	27 (293)	8 (85)
E1-27E	230	25	5500	8000 hr	29 (309)	8 (89)
E1-80	120	80	5500	8000 hr	58 (623)	17 (186)
E1-80E	220	80	5500	8000 hr	71 (763)	21 (225)

## Rifa eX 88 Lamp/Beam Data

### With TH-X1000 Lamphead

Lamp Code	Volts	Watts	°K	Avg Life	FC(lux) 5'	FC(lux) 10'
FEL	120	1000	3200	300 hr	195 (2110)	56 (608)
FEP	240	1000	3200	150 hr	160 (1730)	45 (491)
EHF	120	750	3200	300 hr	115 (1240)	33 (358)
EHG	120	750	3000	2000 hr	96 (1040)	28 (301)
FKR/230	230	650	3200	300 hr	124 (1340)	36 (386)
EHC	120	500	3200	300 hr	85 (918)	24 (264)
EHD	120	500	3000	2000 hr	73 (786)	19 (210)
JCV 220V-500WBM						
	220	500	3000	2000 hr	78 (846)	23 (243)
JCV 240V-500WBM						
	240	500	3000	2000 hr	70 (754)	20 (216)

### With TH-X300 Lamphead

Lamp Code	Volts	Watts	°K	Avg Life	FC(lux) 5'	FC(lux) 10'
JCV14.5-50WC						
	12/14	50	3200	100 hr	7 (76)	2 (22)
GCC	12	100	3200	100 hr	6 (69)	2 (20)
GCB	30	200	3200	100 hr	27 (293)	8 (83)
FSH	120	125	3200	100 hr	17 (185)	5 (55)
FVM	120	105	3200	250 hr	15 (161)	4 (46)
FVL**	120	200	3200	200 hr	40 (427)	11 (121)
GCA	120	250	3200	100 hr	41 (441)	12 (127)
CP/96*	120	300	3400	75 hr	55 (593)	15 (167)
GLF/P44	230	235	3200	100 hr	40 (436)	11 (124)
CP/97*	230	300	3200	75 hr	59 (639)	17 (180)

\*\* Longer life lamp recommendation (slightly lower wattage).

### With FLO-X1 Lamphead

E1-27	120	27	5500	8000 hr	10 (113)	3 (32)
E1-27E	230	25	5500	8000 hr	11 (120)	3 (34)

### With FLO-X3 Lamphead

E1-27	120	27	5500	8000 hr	28 (307)	8 (88)
E1-27E	230	25	5500	8000 hr	29 (318)	9 (93)
E1-80	120	80	5500	8000 hr	66 (715)	20 (215)
E1-80E	220	80	5500	8000 hr	81 (874)	24 (226)

### With FLO-X5 Lamphead

(with all 5 lamps lit)

E1-27	120	27	5500	8000 hr	50 (539)	15 (163)
E1-27E	230	25	5500	8000 hr	41 (555)	15 (167)
E1-80	120	80	5500	8000 hr	108 (1167)	33 (351)
E1-80E	220	80	5500	8000 hr	121 (1307)	36 (392)